

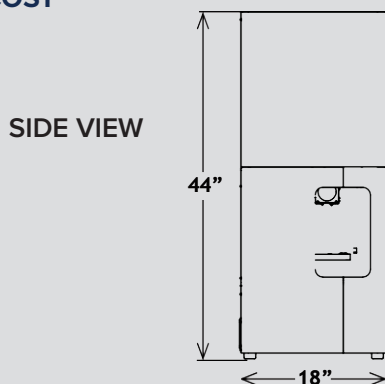
METAL X

PRINTER SPECIFICATIONS

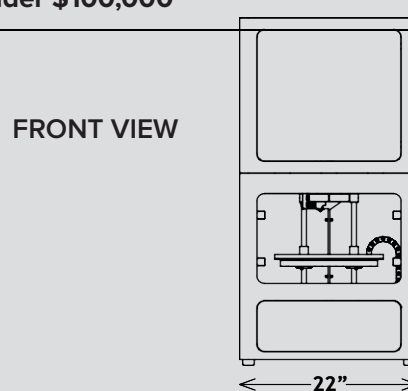
The **Metal X** is the world's first Atomic Diffusion Additive Manufacturing (ADAM) machine. It's up to 10x less expensive than alternative metal additive manufacturing technologies — and up to a 100x less than traditional fabrication technologies like machining or casting. Affordable, reliable, and easy to use, the Metal X print system gives you everything you need to go from design to fully functional metal parts in under 24 hours.

PRINTER PROPERTIES	Process	Atomic Diffusion Additive Manufacturing (ADAM)
	Build Volume	250 x 220 x 200 mm (9.8 x 8.7 x 7.1 in)
	Weight	< 114 kg (250 lbs)
	Machine Footprint	575 x 467 x 1120 mm (22.7 x 18.4 x 44.1 in)
	Power Requirements	100-240VAC, 2400W (20A peak), IEC60320 Type C20
PART PROPERTIES	Max Part Size	208 x 183 x 167 mm (8.2 x 7.2 x 6.6 in)
	Max Part Mass	10 kg
	Part Density	> 97%
	Infill	Closed Cell Triangular Infill
SOFTWARE	Supplied Software	Markforged Eiger - Cloud Storage, Local Storage, or Fully On-Premise (\$5,000 added fee)
	Security	Two Factor Authentication, Org Admin Access, Single Sign On
MATERIALS	Launch Materials	17-4 Stainless Steel, 316L Stainless Steel
	Beta Materials	6061 Aluminum, 7075 Aluminum, Inconel (IN) 625, A-2 Tool Steel, D-2 Tool Steel, Titanium Ti6Al4V
	Media Cartridge	Bound Powder

MACHINE COST



Under \$100,000



All specifications approximate and subject to change without notice.