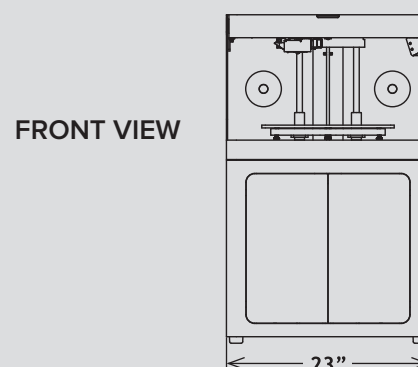
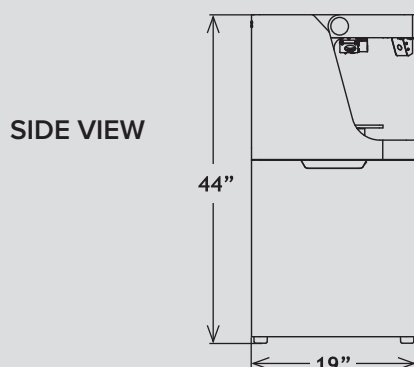


# MARKFORGED X7

## PRINTER SPECIFICATIONS

The X7 prints industrial grade manufacturing jigs, jaws, tools and fixtures. Designed from the ground up to survive the production floor environment and capable of printing parts stronger than machined aluminum for a fraction of the cost, the X7 delivers unparalleled surface finish, build size, and reliability.

<b>PRINTER PROPERTIES</b>	Process	Continuous Fiber Reinforced Plastics
	Build Volume	330 x 270 x 200 mm (13 x 10.6 x 7.9 in)
	Weight	48 kg (106 lbs)
	Machine Footprint	584 x 483 x 914 mm (23 x 19 x 36 in)
	Print Bed	Flat to within 80 um - Kinematic coupling
	Laser	In Process Inspection, Active Print Calibration, Bed Leveling
	Power	100-240VAC, 150W (2A peak)
<b>PART PROPERTIES</b>	Layer Height	100um default, 50um minimum
	Ultimate Tensile Strength	700 MPa (22.6x ABS, 19.4x Onyx)
	Max Flexural Stiffness	51 GPa (24.8x ABS, 17.6x Onyx)
	Infill	Closed Cell Infill: Multiple geometries available
<b>SOFTWARE</b>	Supplied Software	Markforged Eiger - Cloud Storage, Local Storage, or Fully On-Premise (\$5,000 added fee)
	Security	Two Factor Authentication, Org Admin Access, Single Sign On
<b>MATERIALS</b>	Plastics Available	Onyx, Tough Nylon
	Fibers Available	Carbon Fiber, Fiberglass, Kevlar, High Strength/High Temp Fiberglass



*All specifications approximate and subject to change without notice.*