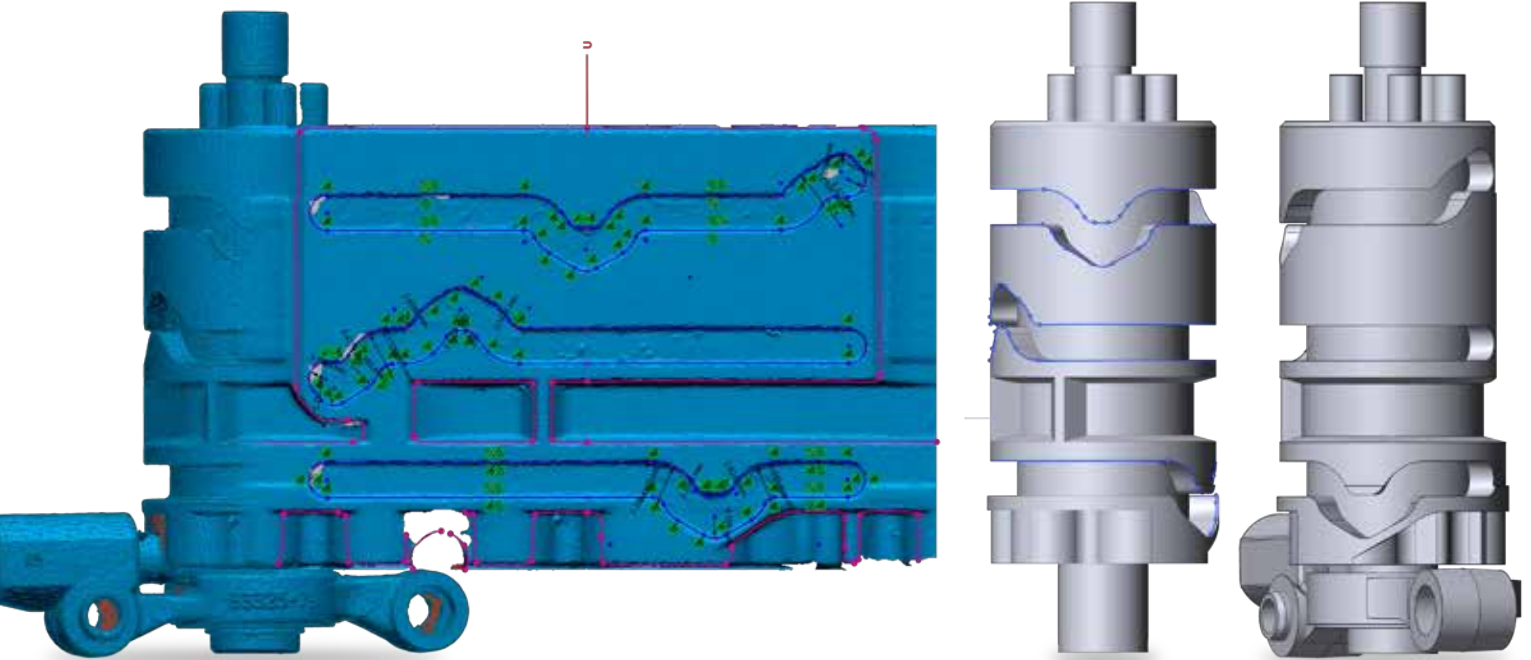


Dx Geomagic Design X

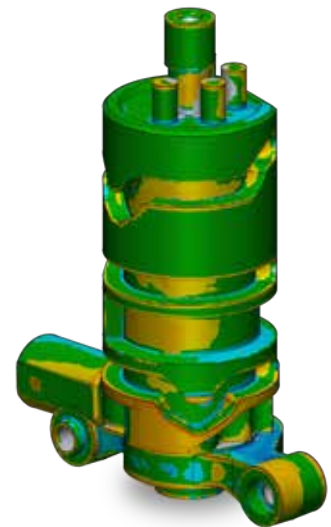
Introducing Geomagic Design X 2020

Geomagic® Design X™ is the fastest path from 3D scan to CAD. It is the only software that combines robust 3D scan processing and complete CAD design functionality, so you can reverse engineer virtually anything faster, more accurately, and more reliably than any other method.



Streamline modeling workflows and expand modeling pathways for complex parts:

- Streamline modeling workflows for molding, casting, topology optimization, and medical applications using new features for hybrid surfacing and gain accelerated productivity and improved downstream CAD re-usability
- Tackle modeling workflow for complex revolved parts and improve efficiency by 94% using the new and unique unroll/reroll function
- Get access to a new framework for early feature and capability preview. Available for customers on-maintenance only.

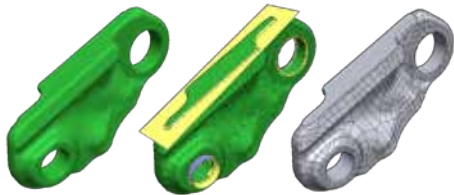


New and Enhanced Features in Geomagic Design X 2020

Selective Surfacing

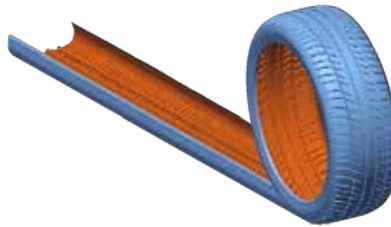
The new Selective Surfacing features simplify the hybrid modeling process, providing easy workflows for traditionally difficult parts. It combines very fast organic surfacing with high precision feature modeling methods. This results in accelerated productivity while providing greater downstream CAD re-usability, and maintaining control over model accuracy.

- Selective Surfaces By Curve - provides user more fine control over the resulting surface trimming results.
- Selective Surfaces By Mesh - provides users with a fast way to quick surface only the areas they want.



Unroll/ReRoll

New unrolling, flattening, and rolling tools simplify the modeling of complex revolved designs. Using a comprehensive suite of mesh processing tools, you can unroll the mesh to automatically extract a 2D sketch, make the modifications needed, and then reroll the sketch for additional engineering. This feature reduces the need for multiple rounds of trial and re-work, dramatically improving part precision, efficiency and downstream usability.



Updated File I/O

File import capabilities have been enhanced in Geomagic Design X 2020, providing the latest connectivity to scanning devices and updated LiveTransfer to CAD compatibility:

- Autodesk® Inventor® 2020
- CATIA® V5/V6 2019 (save as)
- PTC® Creo® 6
- Siemens Solid Edge® 2020
- Siemens® NX™ 1872
- SOLIDWORKS® 2020



Separate Meshes

A new function to easily separate a multi-body mesh object into independent entities for improved handling of additive files and assemblies.



Extracting Boundary

Extracted Boundary Curves are now explicitly designated as 'Boundary Curves' resulting in improved surfacing quality.



Surfacing Performance Enhancement

The Surface Fitting is much faster with new release:

- Autosurface Fitting is now up to 36% Faster
- Fit Surface Patches is now up to 28% Faster

Geomagic Preview Framework

A new framework for early feature and capability preview is now available with the new release. Through this framework, Geomagic Design X customers on-maintenance will be invited more efficiently into the R&D process - providing early access to innovations and the ability to share feedback.

Find out more at:
adaptivecorp.com/products/geomagic/



If you're on maintenance

Download Geomagic Design X 2020 today at
softwaresupport.3dsystems.com



If you're off maintenance

Contact your Geomagic Design X reseller or visit
3dsystems.com/how-to-buy



www.adaptivecorp.com / sales@adaptivecorp.com
440) 257-7460

